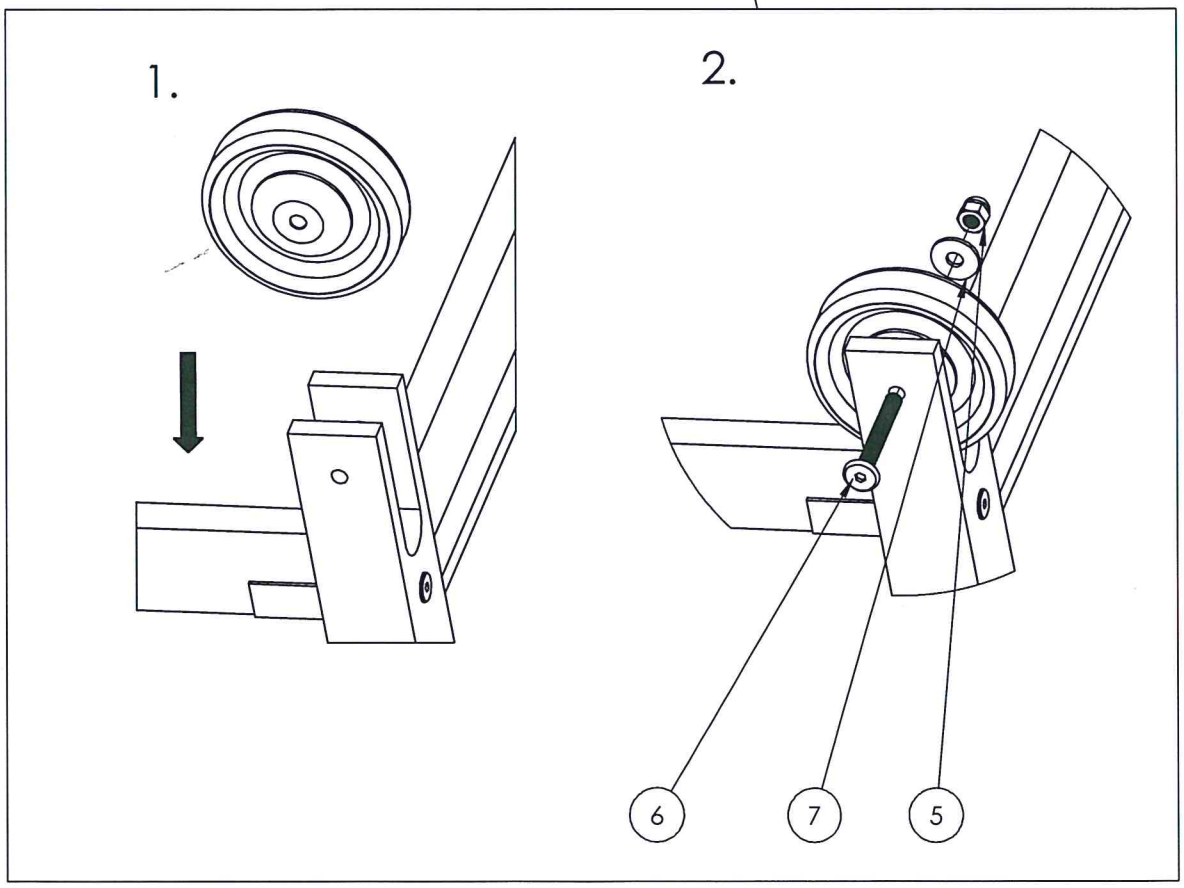
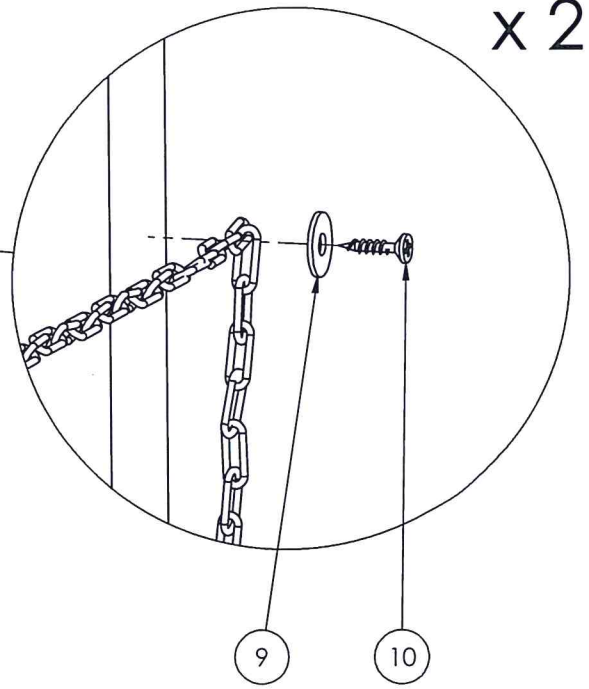
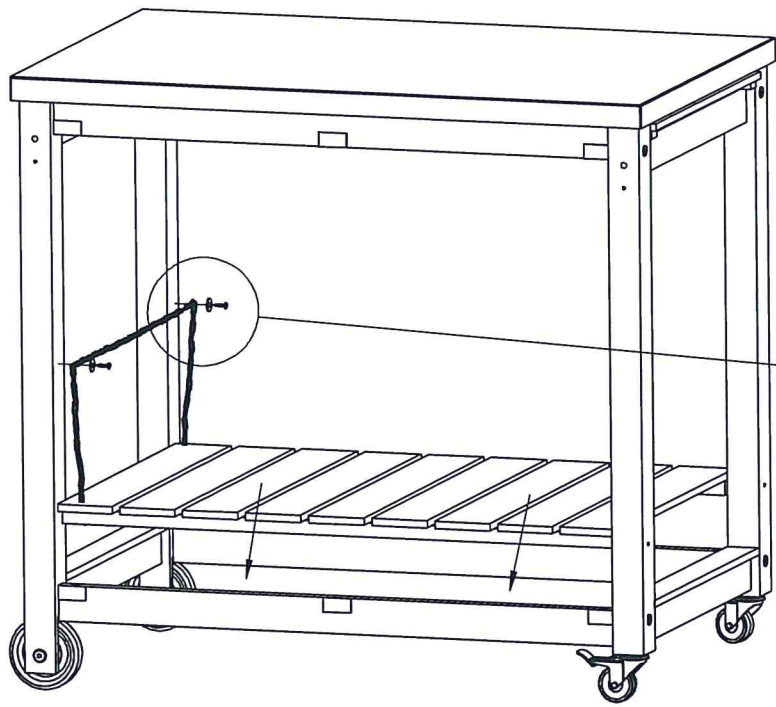


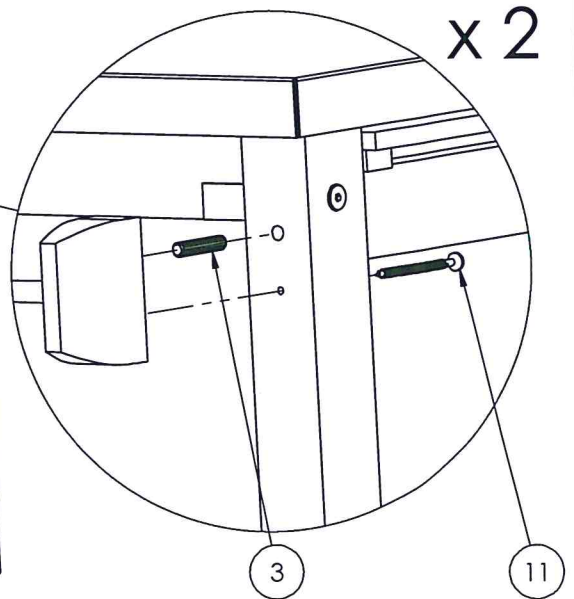
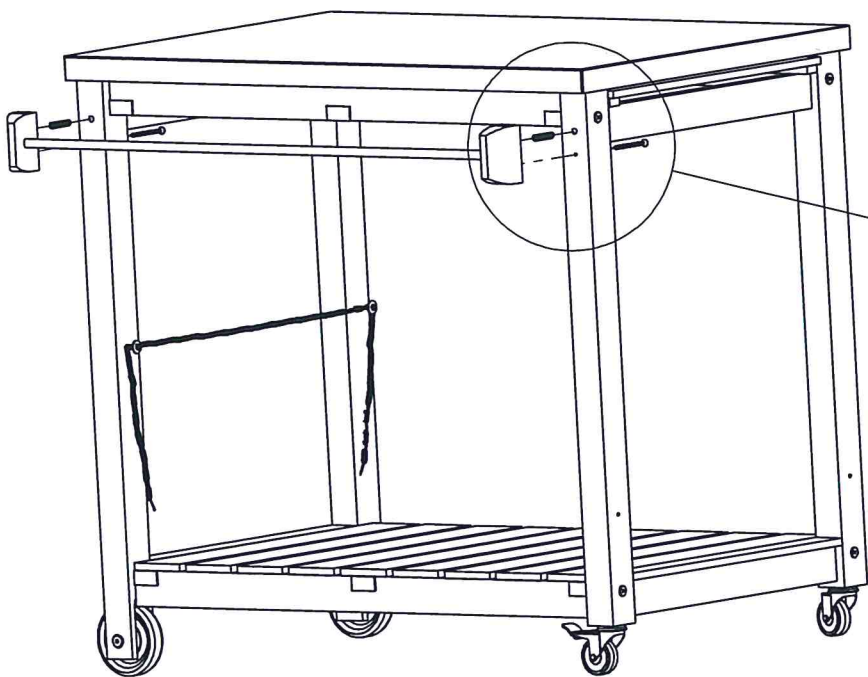
x 2

x 2

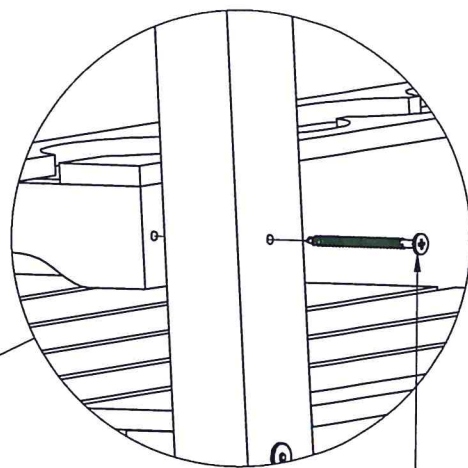
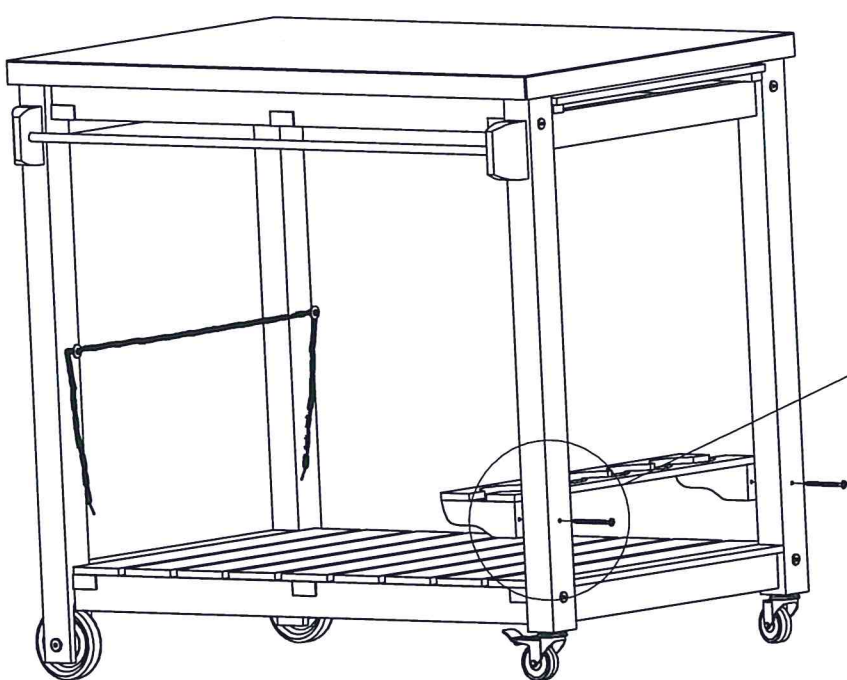




3

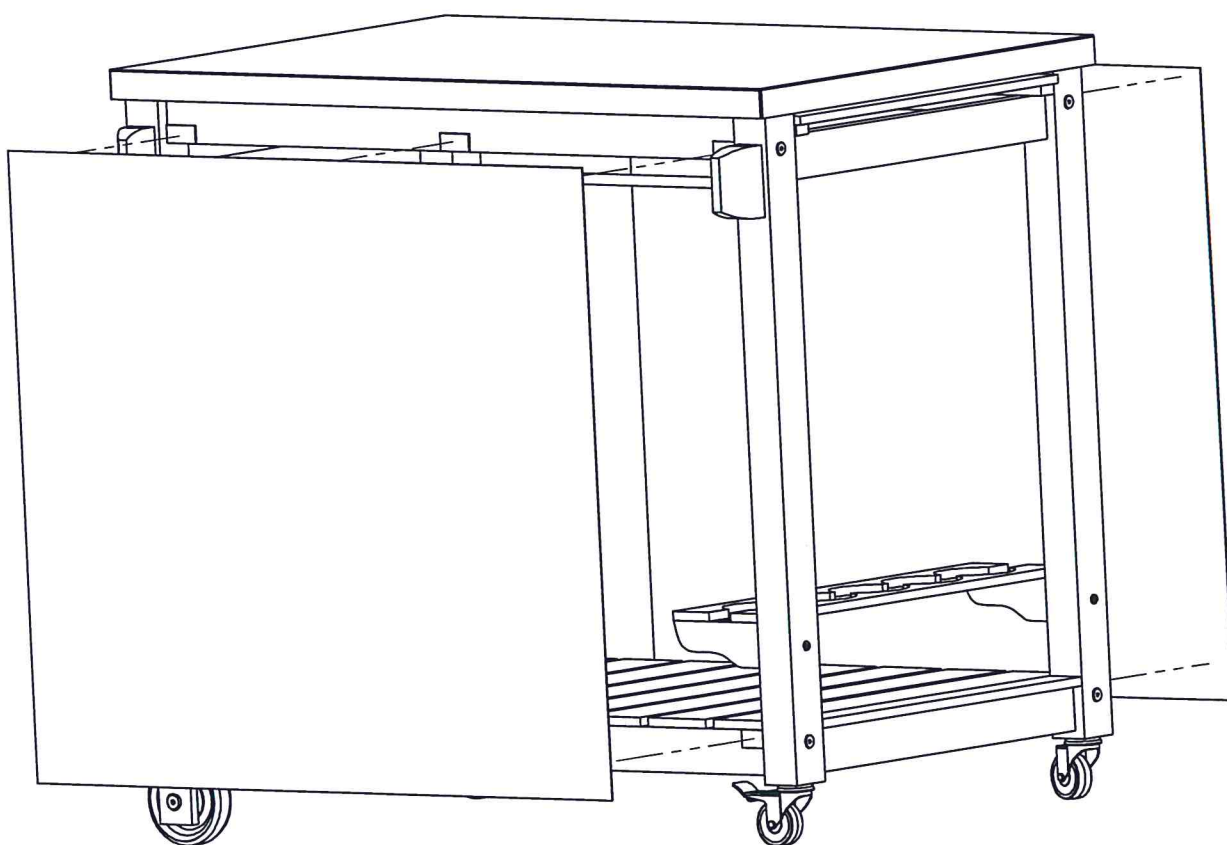


4

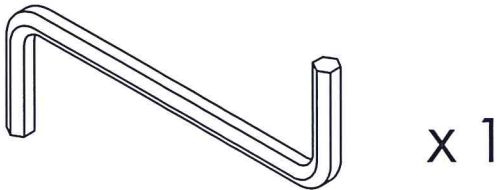
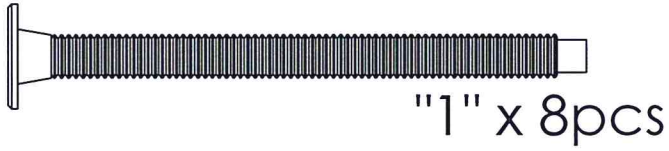


11

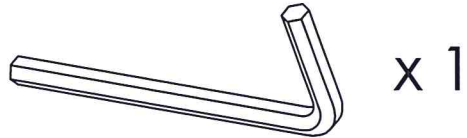
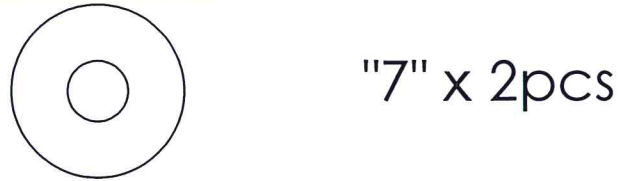
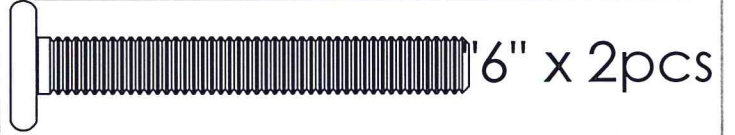
5



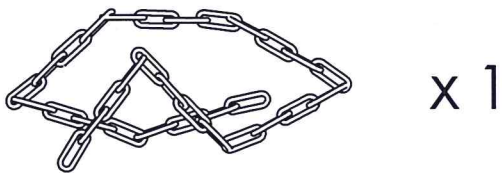
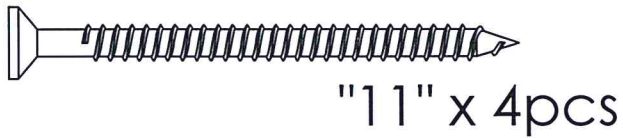
6



1



2



3/4/5

## WHEELS

